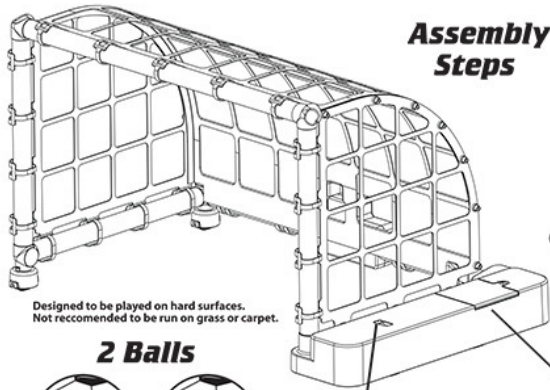


# ACTION SOCCER

The Motorized Soccer Goal

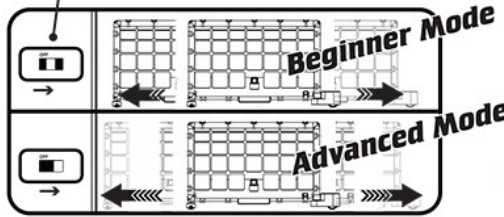
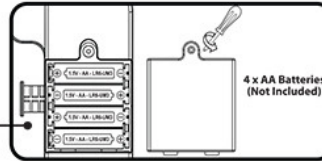
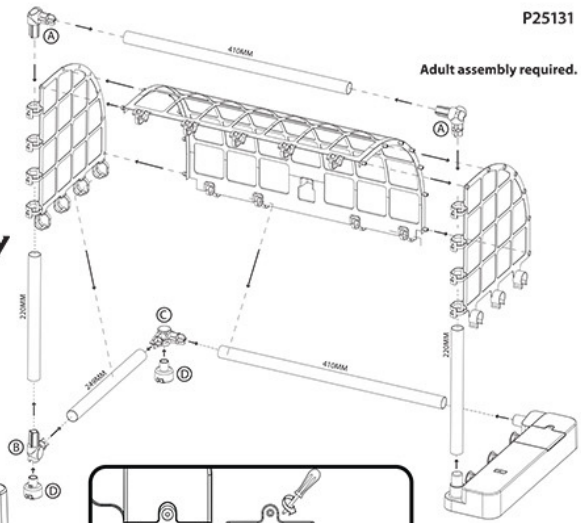
## Assembly Instructions



EPOCH EVERLASTING PLAY  
75D LACKAWANNA AVENUE  
PARSIPPANY, NJ 07054 USA  
1-800-631-1272  
www.EpochEverlastingPlay.com

GAME ZONE IS A MARK OF (EST UNE MARQUE DE)  
EPOCH EVERLASTING PLAY LLC  
©2018 EPOCH EVERLASTING PLAY LLC  
MADE IN CHINA (FABRIQUE EN CHINE)  
DISTRIBUTED IN THE UNITED STATES BY  
(DISTRIBUE AUX ETATS-UNIS PAR)  
EPOCH EVERLASTING PLAY LLC PARSIIPPANY, NJ 07054

### Assembly Steps



- Non-rechargeable batteries are not to be recharged.
- Batteries are to be inserted with the correct polarity.
- Exhausted batteries are to be removed from the toy.
- The supply terminals are not to be short-circuited.
- Different types of batteries or new and used batteries are not to be mixed.
- Rechargeable batteries are to be removed from the toy before being charged.
- Rechargeable batteries are only to be charged under adult supervision.

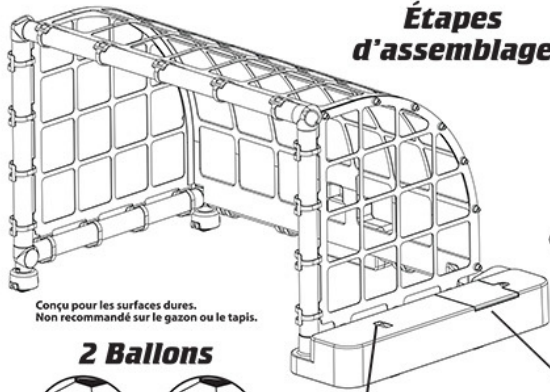


P25131

# ACTION SOCCER

The Motorized Soccer Goal

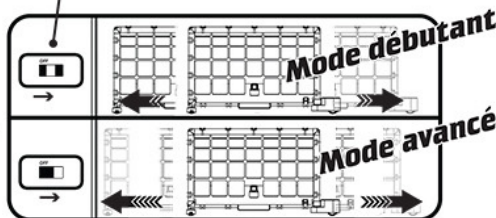
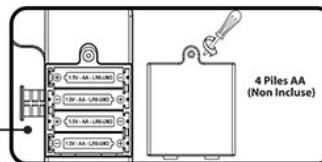
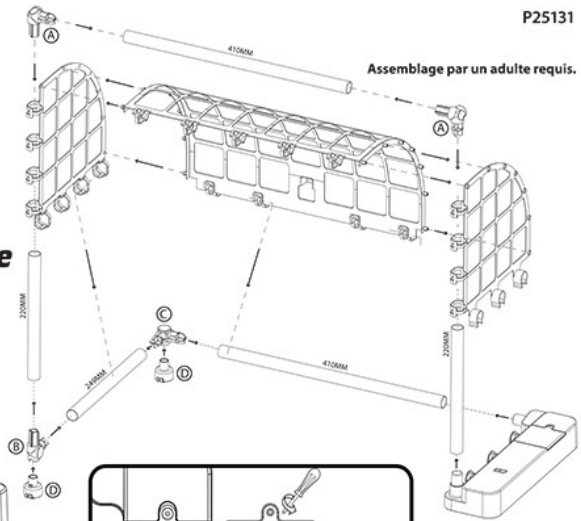
## Instructions d'assemblage



EPOCH EVERLASTING PLAY  
75D LACKAWANNA AVENUE  
PARSIIPPANY, NJ 07054 USA  
1-800-631-1272  
www.EpochEverlastingPlay.com

GAME ZONE IS A MARK OF (EST UNE MARQUE DE)  
EPOCH EVERLASTING PLAY LLC  
©2018 EPOCH EVERLASTING PLAY LLC  
MADE IN CHINA (FABRIQUE EN CHINE)  
DISTRIBUTED IN THE UNITED STATES BY  
(DISTRIBUE AUX ETATS-UNIS PAR)  
EPOCH EVERLASTING PLAY LLC PARSIIPPANY, NJ 07054

### Étapes d'assemblage



- Ne pas recharger les piles non rechargeables.
- Insérer les piles correctement selon la polarité.
- Retirer les piles à plat du jouet.
- Ne pas court-circuiter les bornes d'alimentation.
- Ne pas utiliser différents types de piles ni mélanger des piles neuves et usagées.
- Retirer les piles rechargeables du jouet avant de les recharger.
- Recharger les piles rechargeables sous la supervision d'un adulte.



P25131